

ProLab® EC-BS Lab Set Tapware

PRODUCT CODES

- TR07SN16 - TR15SN16
- TR08SN16 - TR15SN16W
- TR11SN16 - TR16FN16
- TR13SN1 - TR16FN16W
- TR13SN16 - TR16SN16
- TR14SN16 - TR16SN16W
- TR17FN16 - TR18FN16



SPECIFICATIONS

- Polyester powder coating provides better chemical UV light and heat resistance than chrome plating
- Specialised needle valve top assemblies give precise flow and regulation
- Vandal resistant fittings are standard which are suitable for both educational and research labs
- Quality controlled. Every tap is tested.

IMPORTANT: All laboratory taps are tested in accordance with AS/NZS 3718 and leave our premises in good working order.

TECHNICAL DATA

Inlet	½" BSP – Male or Female	
Outlet	Tube Nozzle/Aerator	
Headwork	Needle Valve	
Working Pressure Range (kPa)	Min	50
	Max	500
Working Temperature Range (°C)	Min	5
	Max	65
Nominal Flow Rate (LPM)	5.6	
Construction	Brass	
Finish	Epoxy	

NOTE: Galvin Engineering continually strive to improve their products. Specifications may change without notice.

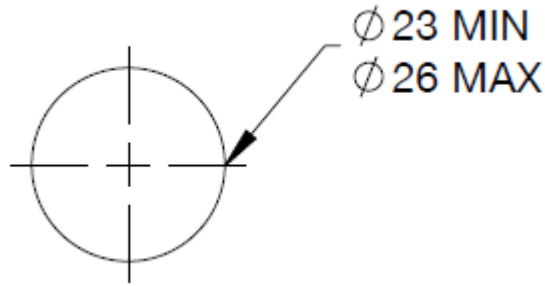
PRE-INSTALLATION

- Before installation, all lines must be flushed.
- Galvin Engineering recommends the installation of strainers and pressure reducing valves (when necessary) to ensure clean consistent supply. Debris or poor water quality could affect the performance of the unit.

TOOLS REQUIRED

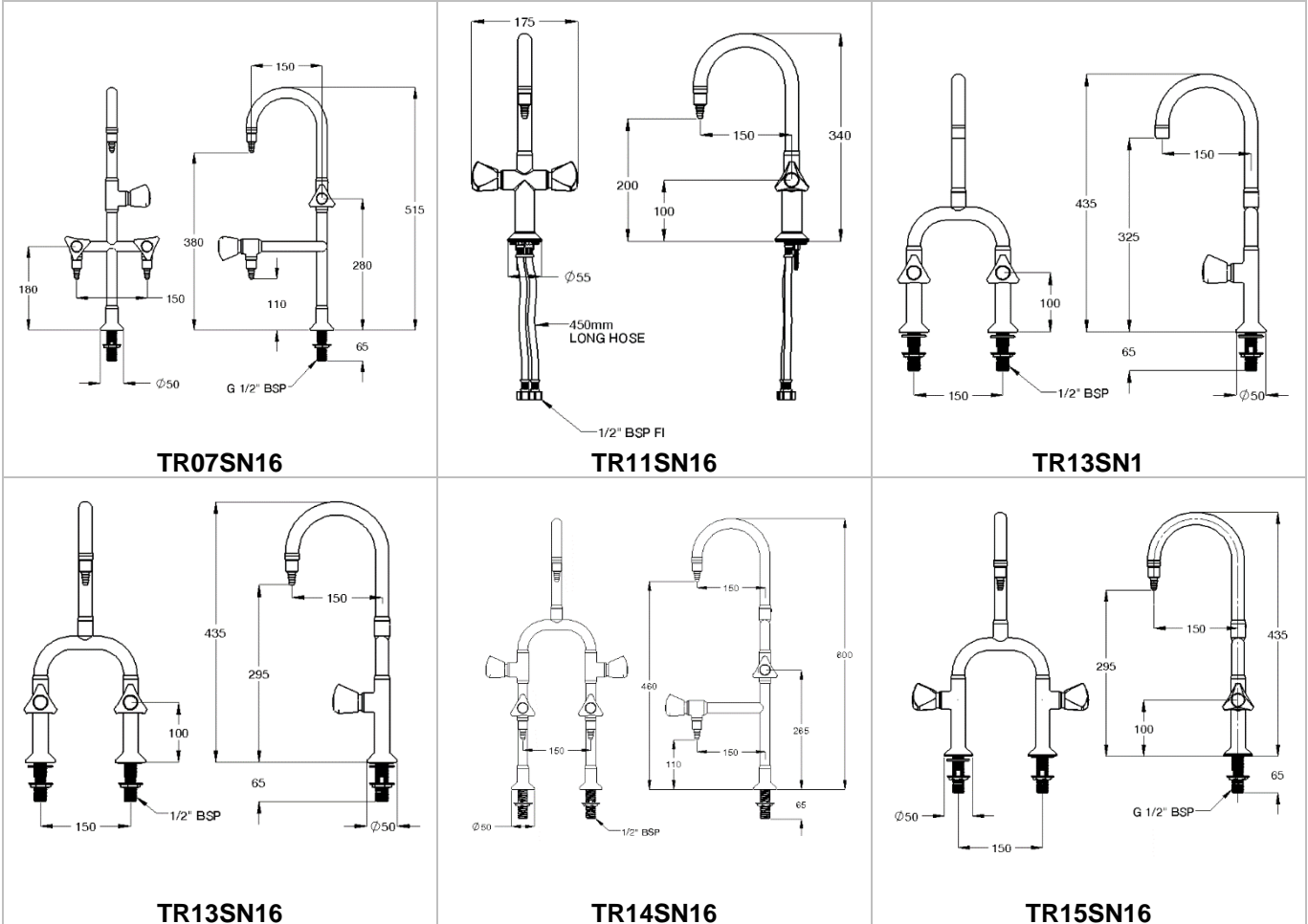
- Power drill
- Spanner or adjustable crescent
- Thread tape / sealant

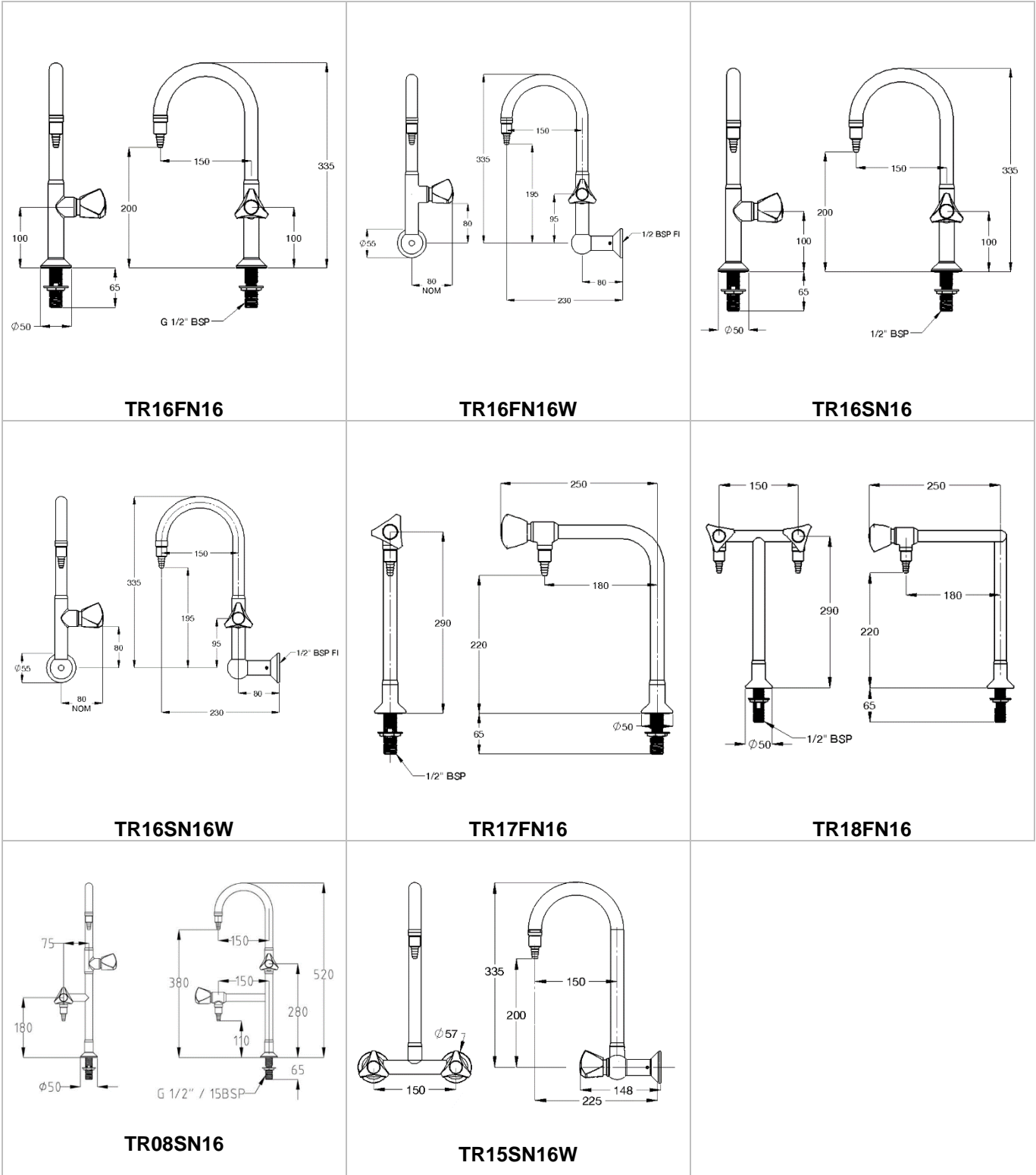
PRE-INSTALLATION – MOUNTING DETAILS



ROUGH-IN DIMENSIONS

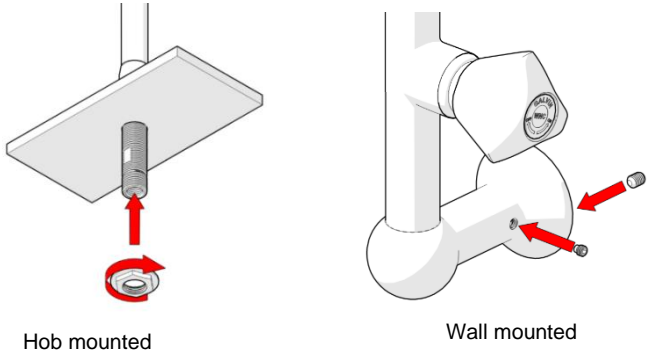
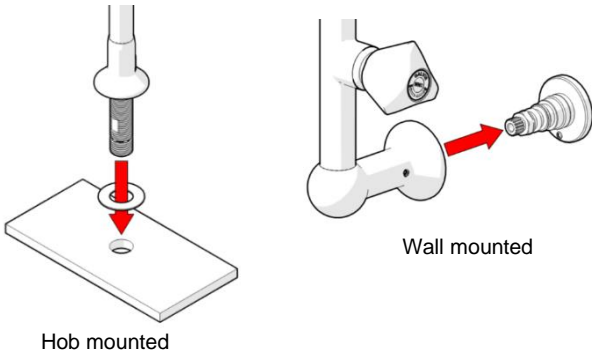
DIMENSIONS





INSTALLATION

IMPORTANT: Galvin Engineering products must be installed in accordance with these installation instructions and in accordance with AS/NZS 3500, the PCA and your local regulatory requirements. Water and/or electrical supply conditions must also comply to the applicable national and/or state standards. Failing to comply with these provisions shall void the product warranty and may affect the performance of the product.

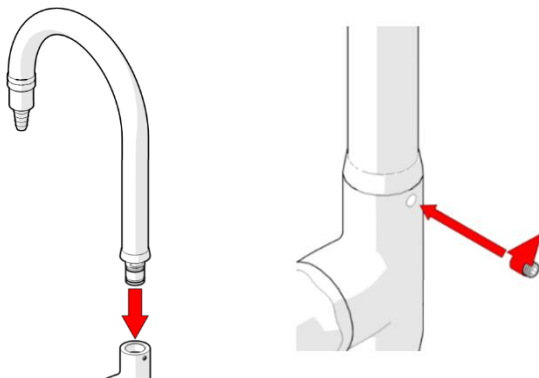


1. Fit lab set body

- Fit the lab set into the bench or wall spud as shown. We recommend using thread tape or equivalent to ensure connections do not leak.

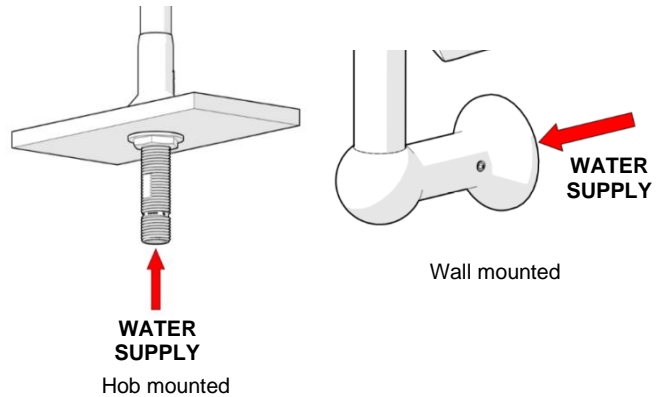
2. Secure the body

- For hob mounted type, secure the body underneath with the supplied back nut.
- For wall mounted, secure the wall flange with the supplied grub screws.



3. Insert Outlet (Swivel Body Only)

- If tap is swivel type, insert spout to the body and secure with grub screw.

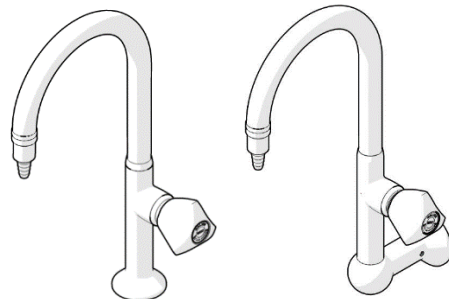


4. Connect the water line

- Connect water supply ensuring thread tape / sealant is used.

5. Testing

- Inspect the tap and check for any leaks.



TROUBLESHOOTING

PROBLEM	CAUSE	RECTIFICATION
Water is not flowing or inconsistent flow.	Blocked tube nozzle (if fitted)	Remove tube nozzle from outlet and remove debris. Install an inline strainer to stop further blockages.
	Flow regulators may be blocked	Remove Flow regulators from inlet and remove debris
	Mains supply is turned off	Turn on mains supply.

WARRANTY

The warranty set forth herein is given expressly and is the only warranty given by the Galvin Engineering Pty Ltd. With respect to the product, Galvin Engineering Pty Ltd makes no other warranties, express or implied. Galvin Engineering Pty. Ltd. hereby specifically disclaims all other warranties, express or implied, including but not limited to the implied warranties of merchantability and fitness for a particular purpose.

Galvin Engineering Pty Ltd products are covered under our manufacturer’s warranty available for download from www.galvinengineering.com.au Galvin Engineering Pty Ltd expressly warrants that the product is free from operational defects in workmanship and materials for the warranty period as shown on the schedule in the manufacturer’s warranty. During the warranty period, Galvin Engineering will replace or repair any defective products manufactured by Galvin Engineering without charge, so long as the terms of the Manufacturer’s warranty are complied with.

The remedy described in the first paragraph of this warranty shall constitute the sole and exclusive remedy for breach of warranty, and Galvin Engineering Pty Ltd shall not be responsible for any incidental, special or consequential damages, including without limitation, lost profits or the cost of repairing or replacing other property which is damaged if this product does not work properly, other costs resulting from labour charges, delays, vandalism, negligence, fouling caused by foreign material, damage from adverse water conditions, chemical, electrical or any other circumstances over which Galvin Engineering has no control. This warranty shall be invalidated by any abuse, misuse, misapplication, improper installation or improper maintenance or alteration of the product.

Within Australia: 1300 514 074 Outside Australia: P: +61 (0)8 9338 2344

F: +61 (0)8 9338 2340

sales@galvinengineering.com.au

www.galvinengineering.com.au

ABN: 78 008 719 382

PERTH | SYDNEY | MELBOURNE | BRISBANE | ADELAIDE

